

# » CWT5005 GSM RTU



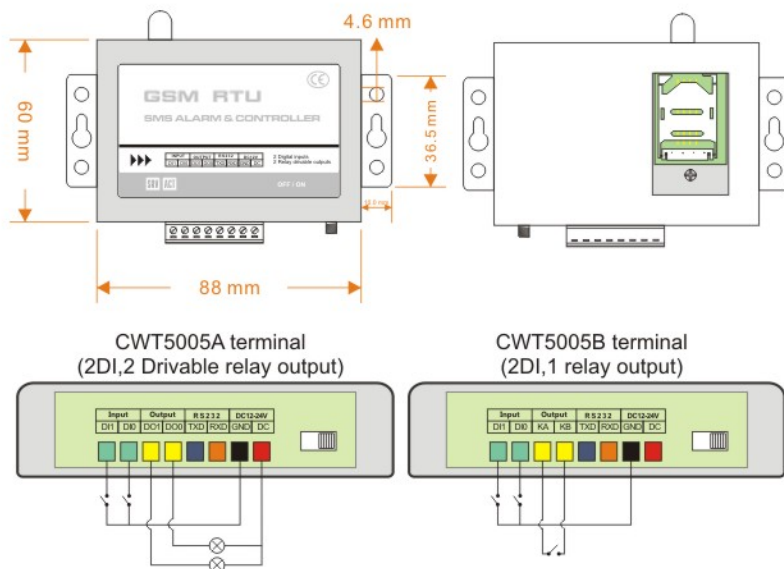
Simple and easy to use  
GSM alarm and controller  
GSM remote switch

Monitor 2 digital inputs  
alarm via sms  
Control 2 outputs via sms

## ■ Specifications

DC Power supply	12-24V DC (Standard adapter: DC 12V/1.5A)
Power consumption	12V input Max. 150mA/Average 50mA
Frequency range	Quad-frequency 900/1800/850/1900MHz
SIM Card	Supporting 3V&1.8V SIM Card
Antenna	50 Ω SMA Antenna interface
Communication interface	RS-232C
Working temperature	-30°C ~ +70°C
Working humidity	Relative humidity 95%
Digital input	2 Digital inputs (dry contact)
Output	CWT5005A: 2 Drivable relay outputs (open-collector outputs)
Output	CWT5005B: 1 relay output (3A, 220Vac)
Output drive voltage	Equal to input DC voltage
Output drive power	Drive voltage ≤35V, drive current ≤500mA
Exterior dimension	88×60×25mm
Weight	150G

## ■ Applications



## ➤ Advance features

- Configurable for alarm and recover sms
- Automatically report the status of itself on schedule
- Support remote setting via sms commands
- Preset 10 phone numbers (can be distributed authority)
- Remote add/edit/delete phone group
- Automatically update internal clock via sms
- Time stamped in alarm or recover messages
- Support ring call when alarm
- Temperature sensor (optional)
- Internal battery (optional)
- Easy used GUI configure software
- Adopted highly integrated industrial CPU
- Reliable performance with built-in double watchdog
- Low maintenance, 24×7 operation

## ➤ How to setup

- Can be setup by free PC software via serial port
- Can be setup by cell phone via sms commands



## ➤ When does GSM RTU send sms

- Digital inputs are triggered
- Send command via serial port
- Manual request by sms command
- External DC power off or recover
- On schedule, such as daily report, etc

## ■ digital inputs features

- NO or NC type can be preset
- Configurable for alarm and recover sms
- Configurable for alarm ensure time
- Configurable for alarm delay time
- Configurable for service number's authority of receive inputs alarm
- Remote query inputs status

## ■ Relay drivable outputs features

- Can drive relays/siren/door switch, etc
- Remote On/Off/Pulse outputs
- Configurable for pulse time
- Remote query outputs status
- Outputs can be activated by alarm
- Outputs can be activated by call
- Outputs can be activated on schedule